

Underbody Drawers

Underbody Drawers UD

Code - **UD**

Underbody Drawers permit outside storage for easier accessibility while providing weather resistant capabilities.

The EZ STAK Underbody Drawers are available in convenient standard sizes and configurations.

Part Numbering System:

UD-XX-XX-XX-00
 | | | | |
 Product Height Width Depth Accessory
 Family Option

PRODUCT SPECIFICATIONS

Height Code: UD-**XX**-XX-XX-XX

Height Options* (Inches)	Drawer Depth
14	8"
18	12"

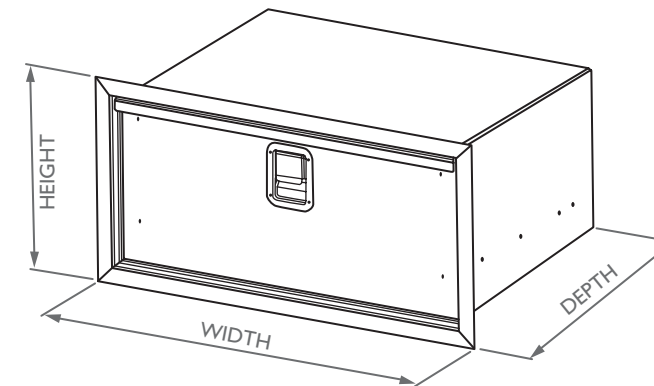
Width Code: UD-XX-**XX**-XX-XX

Width Options* (Inches)	24	30	36

Depth Code: UD-XX-XX-**XX**-XX

Depth Options* (Inches)	18	24

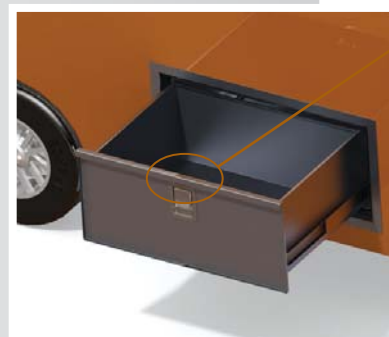
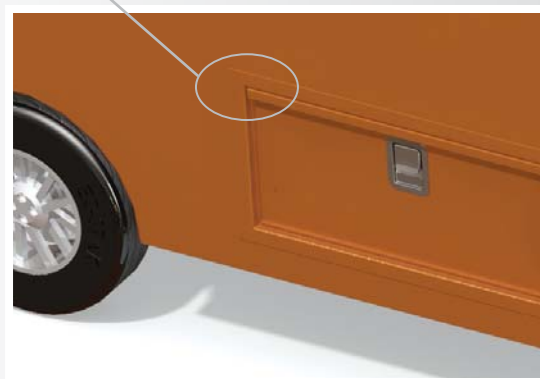
Accessory Option: UD-XX-XX-XX-00
 (No Accessory Option Available)



UNDERBODY DRAWER BENEFITS

Accessible, Efficient, Secure, Convenient

✓ Underbody drawers can easily be painted to match truck exterior.



✓ Encapsulating aluminum shell along with a weather stripping seal ensure contents of the drawer stay clean.



✓ 250 lbs slides allow nearly 100% extension of drawer giving the user a strong, robust product.

*16ga Steel also available on special order. Please contact our sales department.

*Custom configurations and 16ga steel available on demand. Please contact our sales department to discuss your specific requirements.